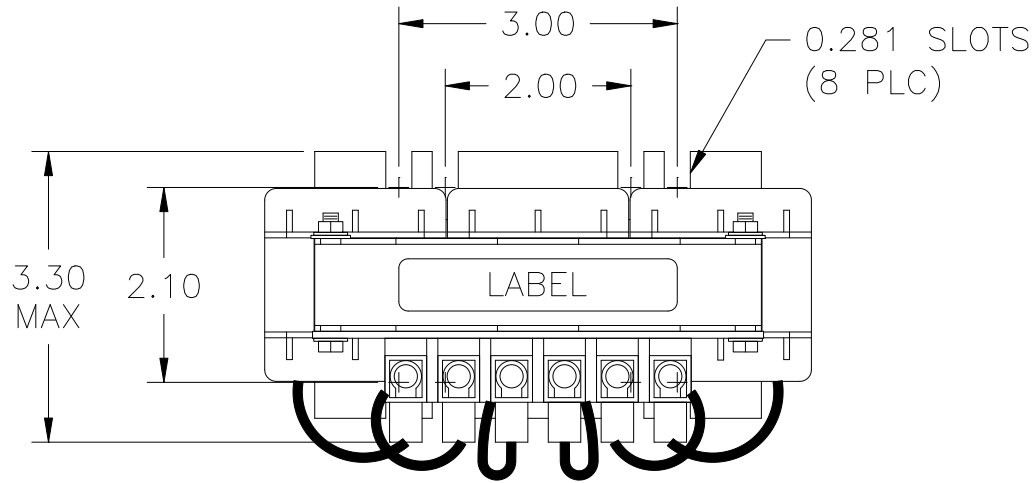


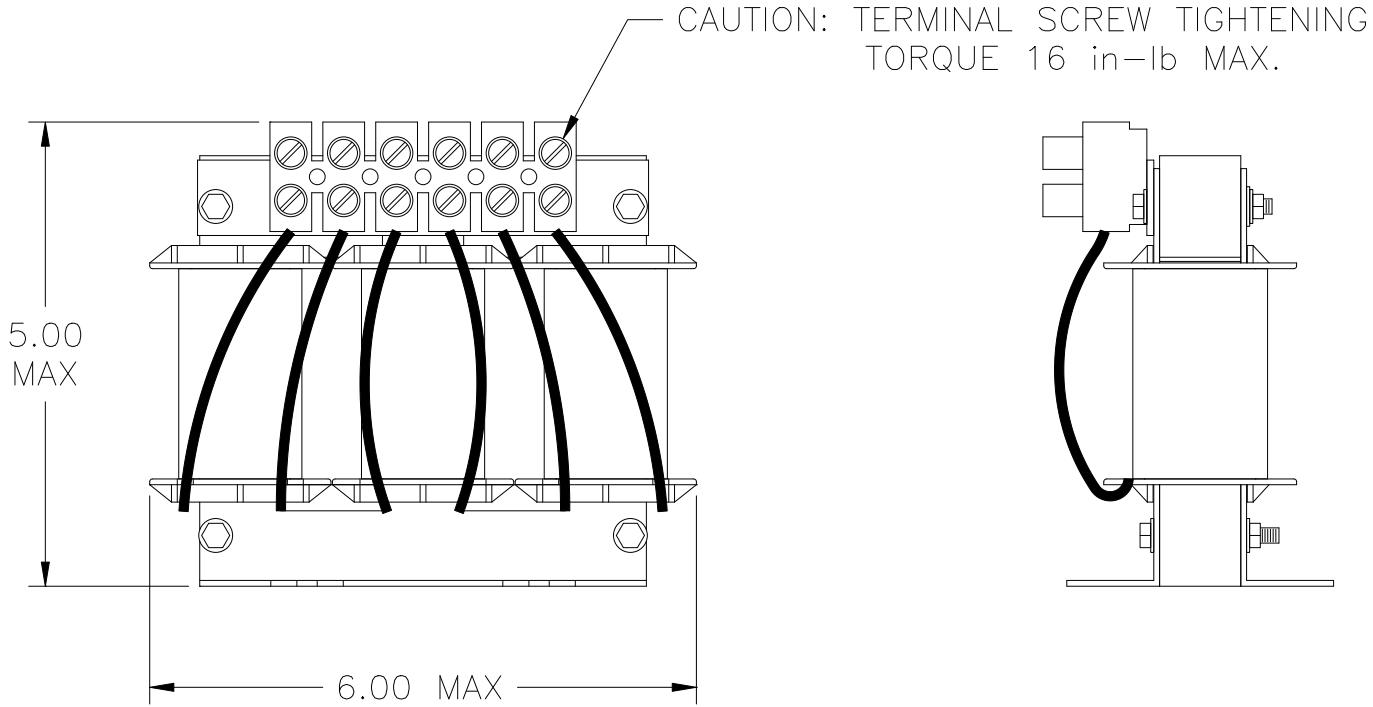
FILE: J:\CUSTDWG\CATRL\CD-01801

INDUCTANCE	LOSSES	WEIGHT
1.25 mH	36 Watts	9 Lbs

NO.	CHANGE DESCRIPTION	BY	DATE	C'K'D
-----	--------------------	----	------	-------



WIRE RANGE: 22-5 AWG



UNLESS OTHERWISE SPECIFIED, DIMENSIONS ARE IN INCHES [mm] AND TOLERANCES ARE:

DECI.	FRAC.
ANGLES	DRILLED HOLES

PART NAME:	3-PHASE REACTOR
DESCRIPTION:	OUTLINE DIMENSION
FINISH:	

MTE CORPORATION MENOMONEE FALLS, WISCONSIN			
RL-01801			REV. 11
SCALE	NTS	DATE	06/09/097
REF.	DR. BY	PB JR.	APP'D